

030-1800
Non-Locking Flush
Mounted Paddle Handle



This non-locking flush mounted paddle handle is a redesign of TriMark's popular 030-0800 Flush Mounted Paddle Handle. Containing an update for a modernized look, it features the same 4-point pivot plate.

DESIGNED FOR:

- Medium to heavy-duty on-highway vehicle compartment doors
- Off-highway applications--construction, mining, forestry and agricultural
- On-highway--emergency vehicles not requiring FMVSS 206 (ECE R11) standards

Global Locations:

TriMark Corporation
500 Bailey Avenue
P.O. Box 350
New Hampton, Iowa 50659
United States
Tel: 641-394-3188
Fax: 641-394-2392
1-800-447-0343
www.trimarkcorp.com

TriMark Europe
Cedar Court
Walker road
Bardon Hill
Coalville LE67 1GZ
United Kingdom
Tel: +44(0)1530 512460
Fax: +44(0)1530 512461
www.trimarkeu.com

TriMark (Xuzhou)
Building A5 Jingwu Road
Xuzhou Economic
Development Zone
Xuzhou, Jiangsu
221004 PR China
Tel: +86 516 8773 0018
Fax: +86 516 8773 0058
www.trimarkcn.com



TriMark. Interactive. Product. Selector



TriMark



TriMark Corporation



TriMark Corporation

FEATURES/BENEFITS:

- Automotive styling preferred by customers in the ambulance and fire truck market
- Easy installation - do not have to maneuver large pivot plate through cut-out in the door
- Molded rubber housing gasket and o-rings on the axle for better water infiltration resistance
- Non-slip tape added for secure opening of the door

AVAILABLE:

- Left and right hand configurations available
- Includes gasket for flange of housing to provide resistance to water and dirt infiltration
- Customized bezel/trim for unique look for customers with the request of an added logo
 - ◊ Bezel kits sold separately (part number 36784)

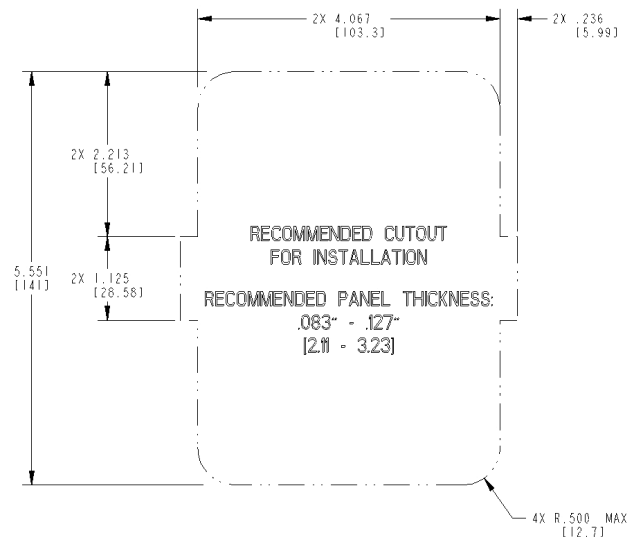
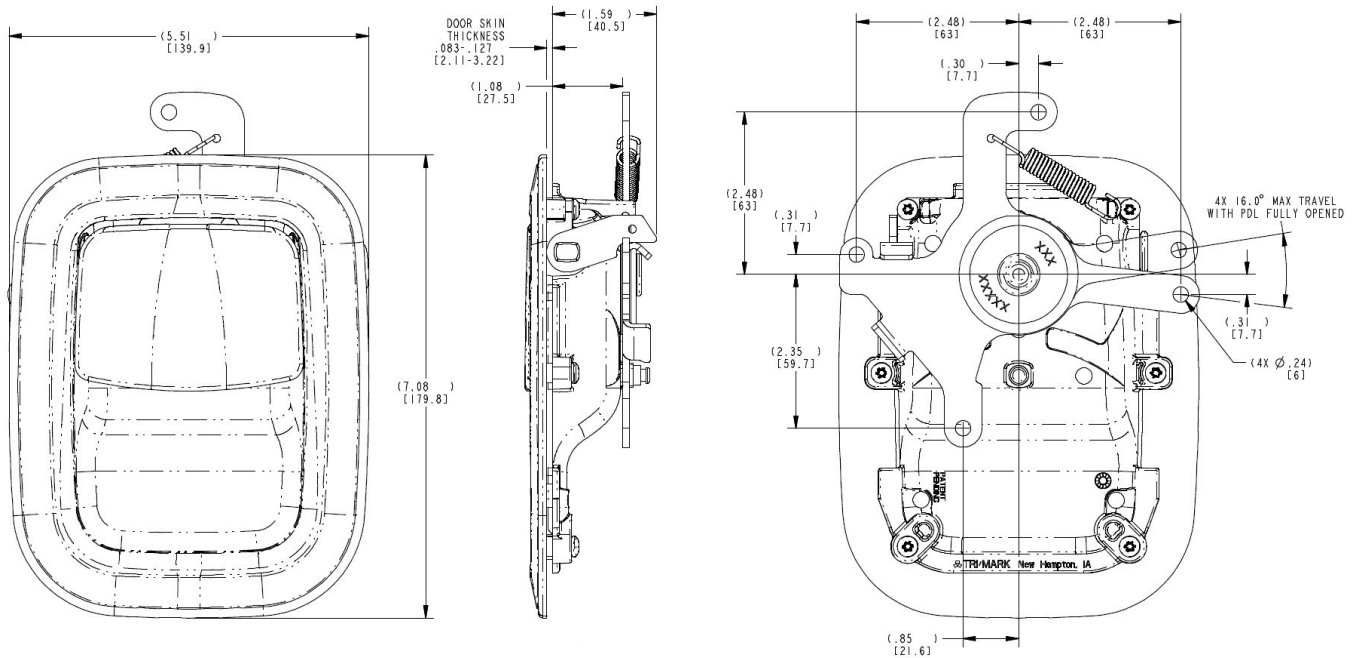
MATERIAL:

- Paddle and housing: Sturdy die cast zinc alloy
- Pivot components: Heat treated, mild steel for wear resistance
- Bushing for paddle axle and thrust washer for pivot plate: Nylon 6/6

FINISH:

- Available in a variety of finishes including black powder coated, high quality buffed CNNC chrome or a combination of black/chrome finish

For more information visit
www.trimarkcorp.com



INSTALLATION:

- Design provides for easy installation without a mounting bracket with the use of (6) #8-32 fasteners
- Can be installed in a wide range of locations in door—either horizontal or vertical orientation (left hand shown)
- Installs into current 030-0800 cut-outs
- Door skin thickness - .083"-.127" (2.11mm-3.22mm)

Design Patent No. D694,087
U.S. Patent No, 10,024,085

CAUTION: Product does not meet the locking requirements for FMVSS 206 (ECE R11).

Individual part dimensions are for reference only. Refer to individual part drawings for complete dimensions, specifications, and installation procedures. Engineering assistance and application drawings are available.

